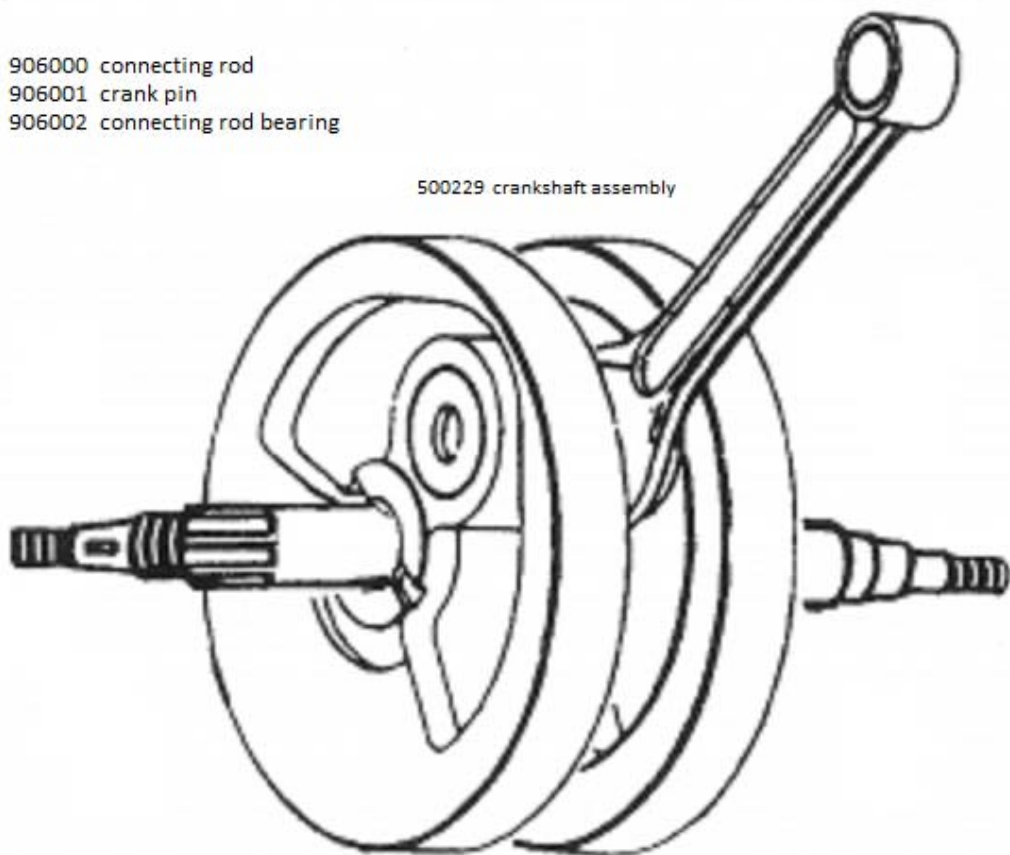


906000 connecting rod  
906001 crank pin  
906002 connecting rod bearing

500229 crankshaft assembly



502070



140799 thrust

502003 nut



502002 washer



140118



140799 thrust